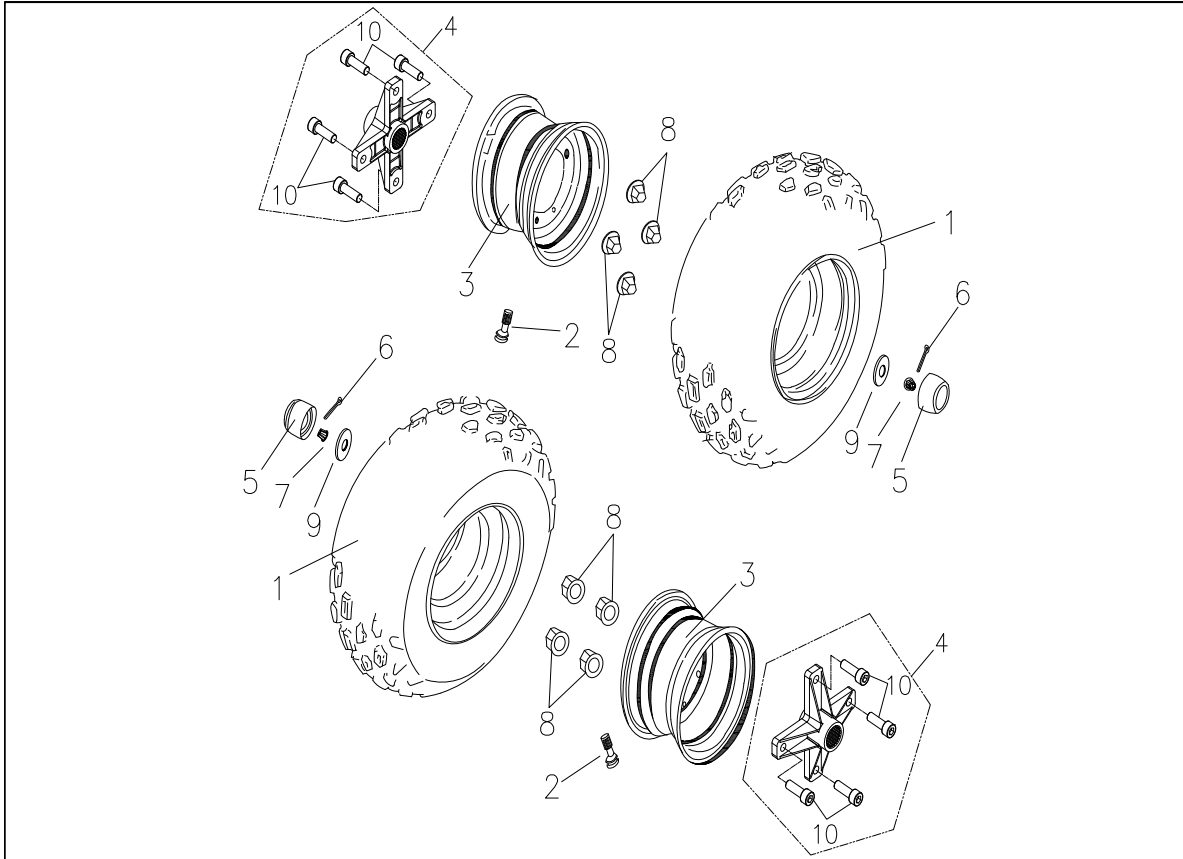


# APEX Motor Corp.

## F-9A Rear Wheel



Item	Part No.	Part Name		Spec.	Q'ty
1	44710-189508DI2006	99,95	Tyre	Duro, 18x9.5-8	2
2	44711-TR-412	1,95	Valve, Rim		2
3	44700-0807-C411090	99,95	Rim	8x7, 3+4	2
4	42350-7A1-000	49,95	Hub., Rear Wheel	AL, Forging	2
5	44720-PK-6142	4,95	Center Cap, Wheel		2
6	94201-32320	1,95	Cotter Pin		2
7	90351-14022-18	1,95	Nut		2
8	90350U-10014A	2,95	Nut, Flange Insert Lock		8
9	94101-1440045	1,95	Washer, Plate		2
10	91000-10030-08BN	2,95	Bolt, Hex. Socket		8