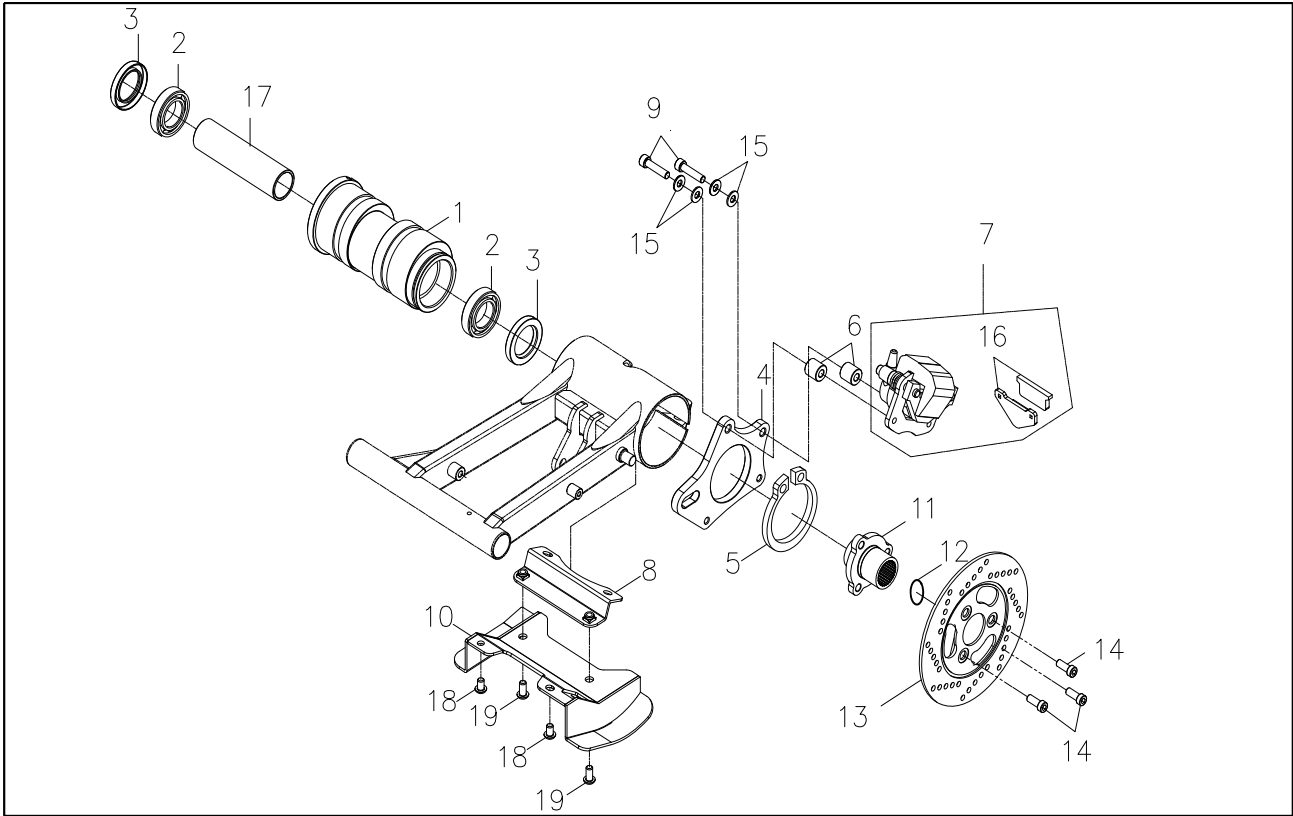


# APEX Motor Corp.

## F-6A Bearing Housing-Swing Arm



Item	Part No.	Part Name	Spec.	Q'ty
1	42636-7A1-000	199,95 Housing, Rear Axle Bearing		1
2	96140-6006ZZ	19,95 Bearing, Ball		2
3	91258-355508	4,95 Seal, Oil		2
4	45290-7A1-000	49,95 Bracket, Caliper		1
5	94510-STW-68	4,95 Clip, Cir.		1
6	50150-0819-16B	4,95 spacer, Caliper Ass'y		2
7	45250-7A1-A00-RE	74,95 Caliper Ass'y, Rear Brake		1
8	52206-7A1-000	12,95 Stay, Swing Arm Skid Plate	MX2009-A	1
9	91000-08035-06G	1,95 Bolt, Hex. Socket		2
10	52205-7A1-000	24,95 Skid plate, Swing Arm		1
11	42625-3AR-000	29,95 Bracket, Rear Brake Disc		1
12	42340-3AR-000	1,95 Ring,Axle		1
13	45121-3AR-000	44,95 Disc, Rear Brake		1
14	91000-10014-97K	2,95 Bolt, Hex. Socket		3
15	90426-081816	1,95 Washer, Plate		4
16	47235-3AR-000	19,95 Pad Kit, Rear Disc Brake		1
17	50150-3136-136B	9,95 Spacer		1
18	91001-08012-05B	0,99 Hex,Socket Bolt		2
19	91001-08016-05B	0,99 Hex,Socket Bolt		2