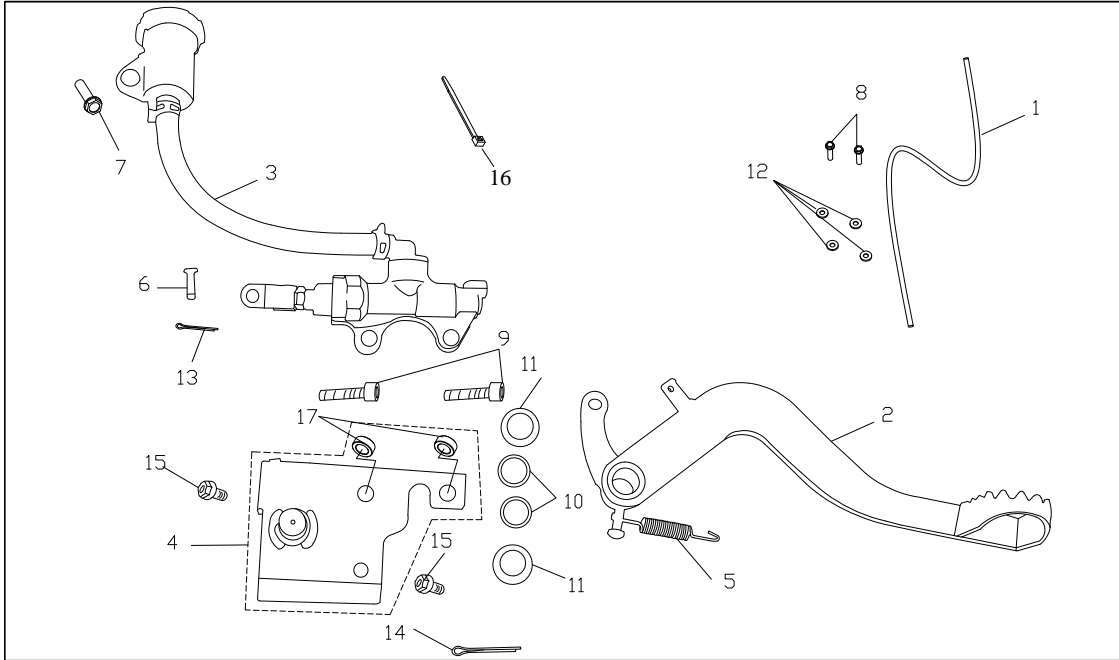


APEX Motor Corp.

F-5 Rear Disc, Foot Brake



Item	Part No.	Part Name	Spec.	Q'ty
1	45127-7A1-000	Hose, Foot Brake	760 , Stainless	1
2	45530-3AR-BKA	Pedal, Brake	BLACK	1
3	45520-3AR-00A	Master Cylinder Ass'y, Foot Brake	Pedal Brake	1
4	45540-3AR-BKA	Bracket, Foot Brake	BLACK	1
5	45542-3AR-000	Spring, Foot Brake		1
6	74001-07020-00	Pin, Foot brake Master Cylinder		1
7	90005-06012-17	Bolt, Flate		1
8	90145-MS9-6110-M	Bolt, Brake Hose		2
9	91000-06025	Bolt, Hex. Socket		2
10	91300-016020	Ring, Oil		2
11	94101-162410-K8	Washer, Plate		2
12	94104-10140-CU	Washes, Copper		4
13	94201-16190	Cotter Pin		1
14	94201-32320	Cotter Pin		1
15	95701-08012-07	Bolt ,Hex. Flange		2
16	89020-3AR-000	Strap		2
17	50150-0715-06C	Bracket, Foot Brake spacer		2